

**37153 37154 SFE1224-Z Zoom Gear
/F Focus gear for Sony SEL1224G FE
12-24mm F4 G**

Instruction Manual

FOREWORD

Thank you for your purchase of a NAUTICAM product.

At NAUTICAM, we pride ourselves in the ability to recognize the requirements of professional as well as amateur underwater photographers and fulfill them through the innovative designs of our products. We strive to achieve a high level of user-friendliness by allowing stress-free installation and easy operation of all important functions of the camera.

Please read this manual carefully before using the product, this will maximize its performance as well as its lifetime.

WARRANTY

All NAUTICAM Products are warranted against any material and manufacturing defects for two years from the date of purchase for consumer use. This warranty only applies to products purchased from authorized NAUTICAM dealers and does not extend beyond the original retail purchaser.

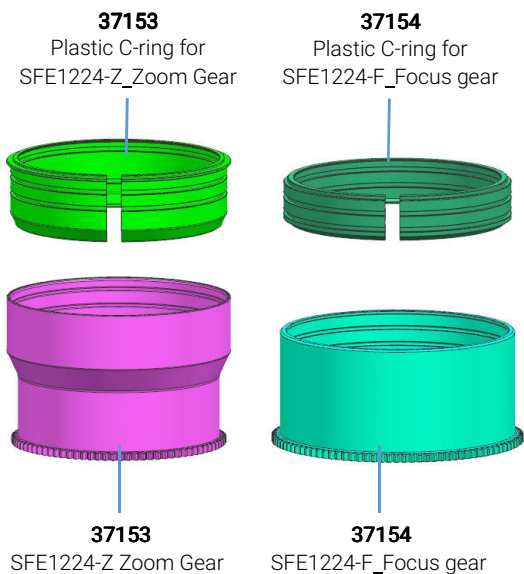
To return your product for service, please contact your regional authorized service center(s). Please note that this warranty only applies when the product is purchased in the territory where the service center is located.

NAUTICAM does not hold responsibility for damage, of any nature, to any equipment used with and/or placed within our products.

NAUTICAM accepts no liability for any loss of captured images or the inability to capture images even if it is due to the malfunctioning of our products.

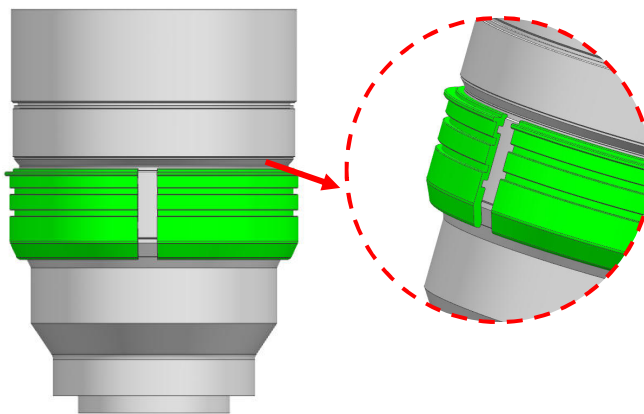
Unauthorized modifications and/or repairs of our products will automatically invalidate the warranty.

IDENTIFICATION OF PARTS

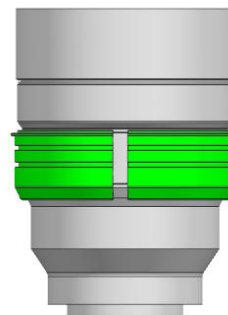


6x Spare Rubber grips

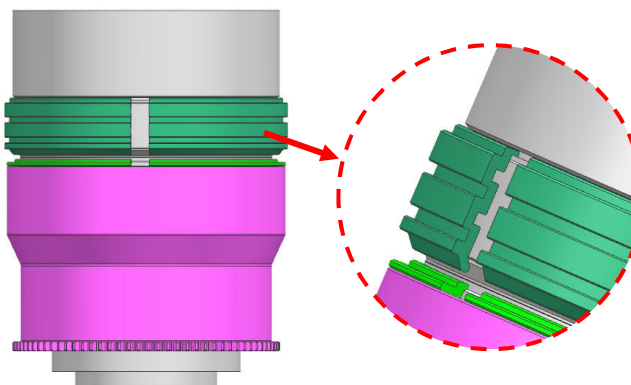
MOUNTING THE GEAR ON A LENS



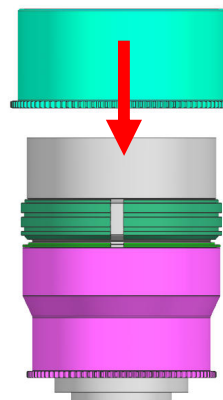
1. Insert the plastic C-ring for zoom gear as shown and place it over the lens



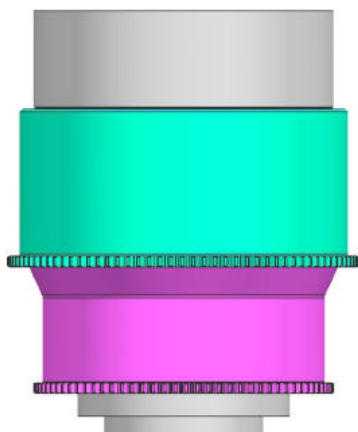
2. Insert the SFE1224-Z-Zoom gear on the plastic C-ring until it reaches the flange of the plastic C-ring.



3. Insert the plastic C-ring for focus gear as shown and place it over the lens

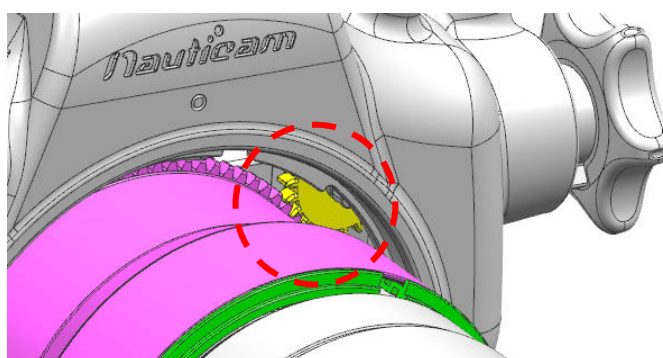


4. Insert the SFE1224-F focus gear on the plastic C-ring until it reaches the flange of the plastic C-ring.

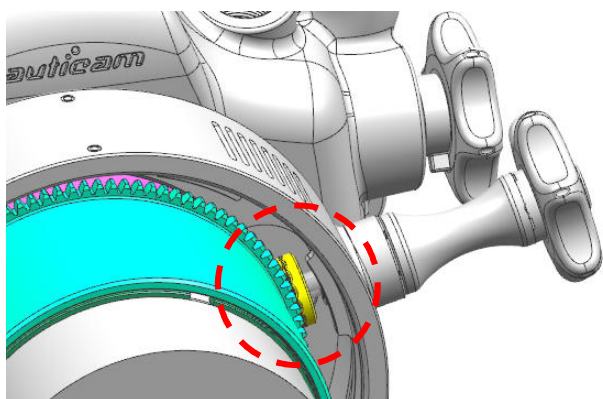


5. The tightness between the both gears and the lens can be adjusted by removing or adding rubber grips on either sides of the plastic C-ring, spare rubber grips are included in the package.

CONTROLLING THE GEARS



1. The SFE1224-Z zoom gear can be controlled by zoom/focus knob of the housing.



2. The SFE1224-F Focus gear can be controlled through the focus knob of #37305 N100 to N120 35.5mm Port Adaptor II

After mount the camera and lens (with gears installed) on the housing, confirm that the zoom/focus knobs operate correctly.

SPECIFICATIONS

37153 SFE1224-Z ZOOM GEAR FOR SONY SEL1224G FE 12-24MM F4 G	
Dimensions(mm):	DIA90.8×60.2
Type:	Zoom gear
Compatible lens:	SONY SEL1224G FE 12-24MM F4 G

37154 SFE1224-F FOCUS GEAR FOR SONY SEL1224G FE 12-24MM F4 G	
Dimensions(mm):	DIA102.0×45.8
Type:	Focus gear
Compatible lens:	SONY SEL1224G FE 12-24MM F4 G
Compatible adaptor:	#37305 N100 to N120 35.5mm Port Adaptor II

Remark: Nauticam supports only e-manuals. Please download corresponding product manuals on Nauticam.com website, or contact us for e-manuals.